

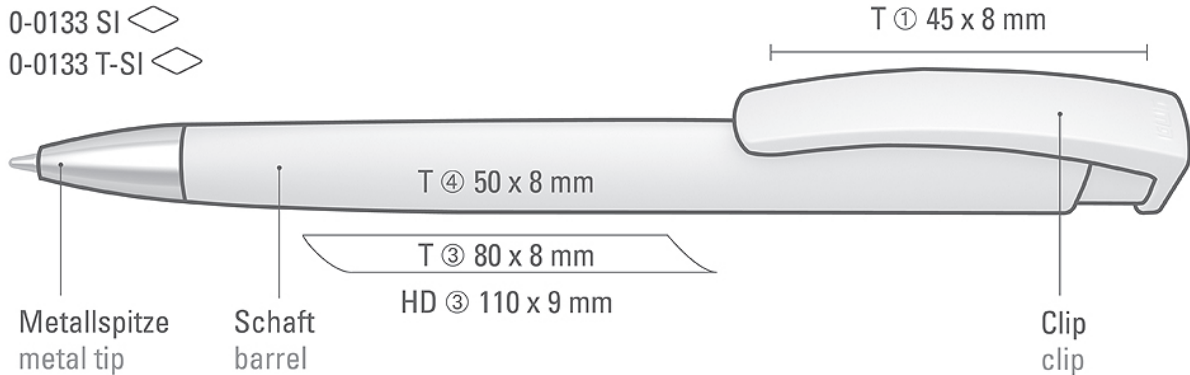


0-0133 SI 
0-0133 T-SI 



Metallspitze
metal tip

Schaft
barrel

HD ③ 110 x 9 mm

T ③ 80 x 8 mm

T ④ 50 x 8 mm

T ① 45 x 8 mm

Clip
clip